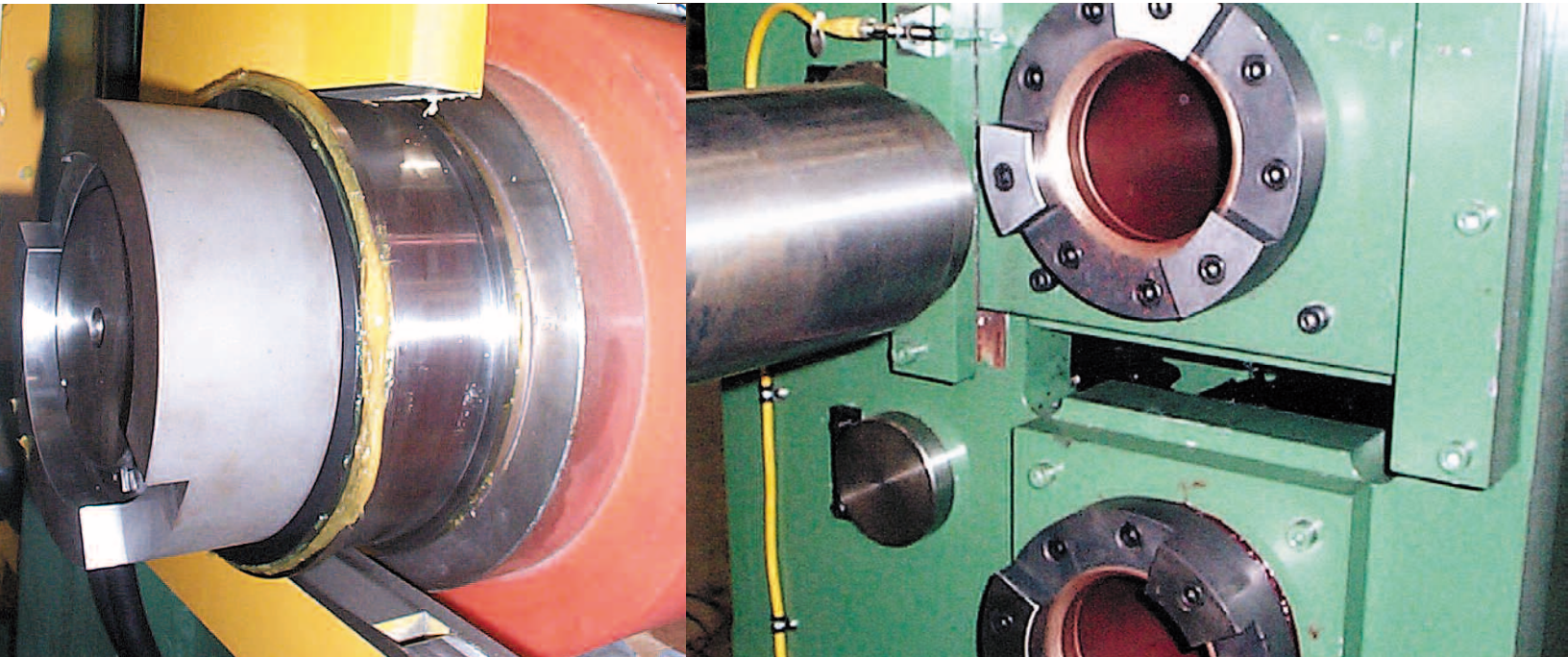


Tension Roll Journal Upgrade



Extend the life of your tension roll journal

Reduce journal fatigue, decrease wear and increase bearing life with our quick and easy to install upgrade.

Tension Roll Journal Upgrade

By investing in a cost-effective upgrade, you can extend the life of your tension roll journal up to four times.

Benefits of the upgrade include:

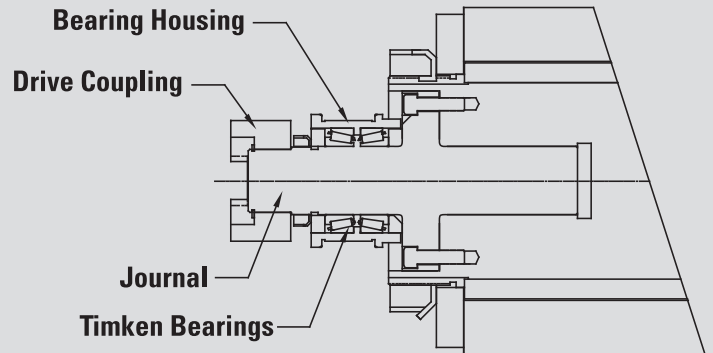
- Quick and easy journal replacement from the piloted bolt-on design
- Decreased journal fatigue and wear-resistance due to the hardened alloy journal material
- Increased bearing life as a result of durable and easy to lubricate bearings

This upgrade utilizes existing journal diameters and upgrades the cylindrical roller bearings to Timken tapered roller bearings. The assemblies are designed to fit into your existing Chicago Slitter tension stand without modifications and the upgrade will maintain the ability for quick roll changeover.

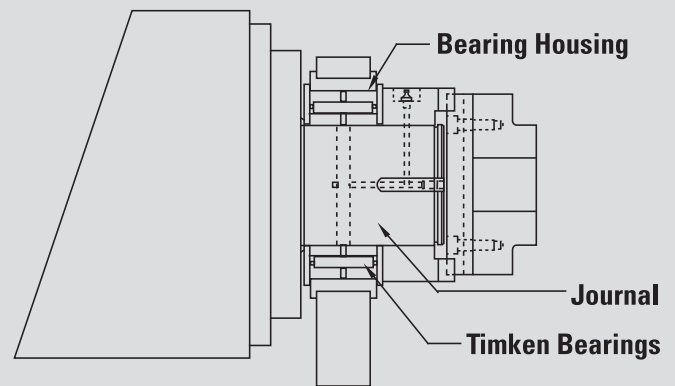
Included with this upgrade are the following items:

- New alloy steel, larger diameter, hardened journals
- New Timken roller bearings, with Timkin locknuts and Timken washers
- New bearing housings
- New grease retainers/bearing spacers
- New drive couplings

As with all equipment and upgrades from Chicago Slitter, this tension roll journal upgrade carries with it a guarantee of ongoing support to ensure continuing success.



Roll Upgrade



Machine and Roll Upgrade

To learn more about this upgrade:

Please call us at **1 (630) 875 9800**
and speak with one of our sales
representatives or visit our web site at
www.chicagoslitter.com.